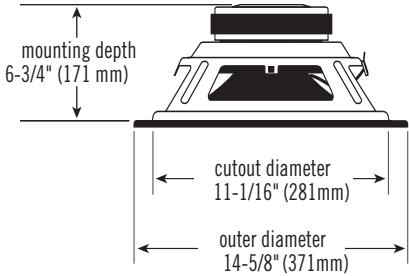


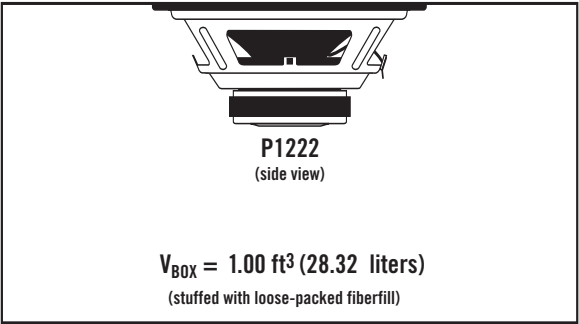


P1222 12" Woofer – Technical Data

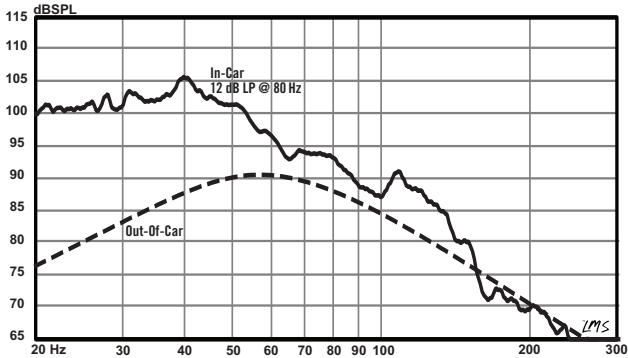
SPECIFICATIONS

DIAMETER:	12" (305mm)
SENSITIVITY (2.83 V @ 1 m):	97 dB
POWER HANDLING:	400 W _{RMS} 1600 W _{PEAK}
FREQUENCY RESPONSE:	23 ~ 450 Hz
NOMINAL IMPEDANCE:	2 OHMS (PER COIL)
VOICE-COIL DIAMETER:	3.0" (76.2 mm)
DIMENSIONS:	

SEALED ENCLOSURE VOLUME (INCLUDES DRIVER DISPLACEMENT)



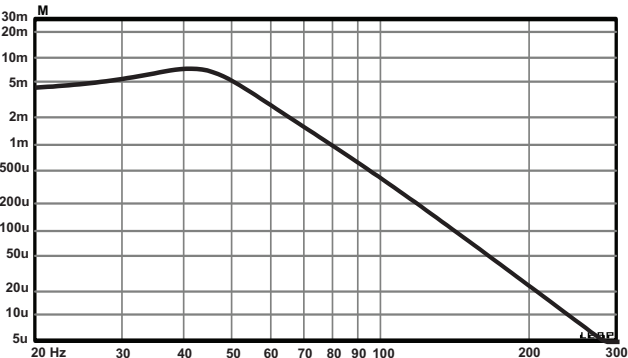
SEALED ENCLOSURE FREQUENCY RESPONSE @ 2.83 V



THIELE-SMALL PARAMETERS

VOICE COIL DC RESISTANCE:	R_{EVC} (OHMS) 1.00
VOICE COIL INDUCTANCE @ 1kHz:	L_{EVC} (MH) 1.10
DRIVER RADIATING AREA:	S_D (IN ²) 87.11
	S_D (CM ²) 562.00
MOTOR FORCE FACTOR:	BL (TM) 10.00
COMPLIANCE VOLUME:	V_{AS} (FT ³) 1.53
	V_{AS} (LITERS) 43.30
SUSPENSION COMPLIANCE:	C_{MS} (µM/N) 96.00
MOVING MASS, AIR LOAD:	M_{MS} (GRAMS) . . . 323.00
MOVING MASS, DIAPHRAGM:	M_{MD} (GRAMS) . . . 315.80
FREE-AIR RESONANCE:	F_S (Hz) 28.60
MECHANICAL Q:	Q_{MS} 9.04
ELECTRICAL Q:	Q_{ES} 0.58
TOTAL Q:	Q_{TS} 0.55
MAGNETIC-GAP HEIGHT:	H_{AG} (IN) 0.48
	H_{AG} (MM) 12.00
VOICE-COIL HEIGHT:	H_{VC} (IN) 1.58
	H_{VC} (MM) 40.00
MAXIMUM EXCURSION:	X_{MAX} (IN)56
	X_{MAX} (MM) 14.00

SEALED ENCLOSURE TRANSDUCER EXCURSION @ 400 W

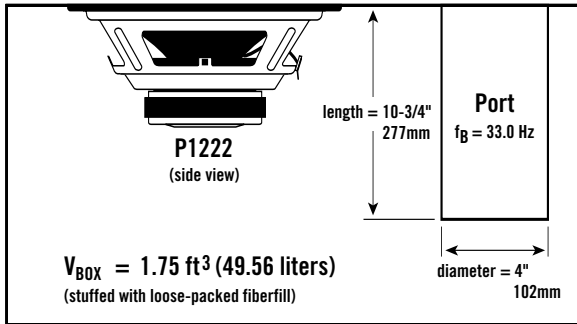


*VOICE COIL CONNECTED IN PARALLEL

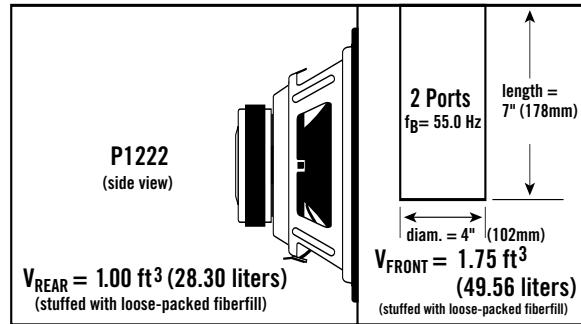


P1222 12" Woofer – Technical Data

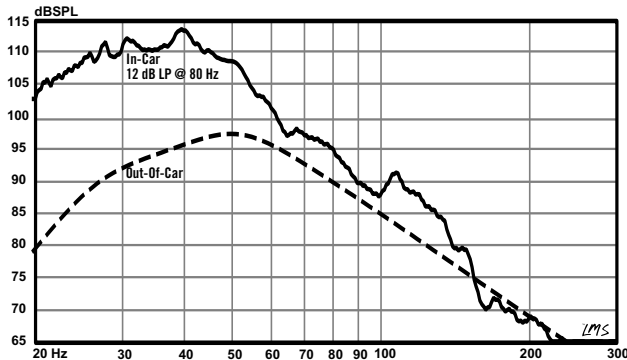
VENTED ENCLOSURE VOLUME (INCLUDES DRIVER/PORT DISPLACEMENTS)



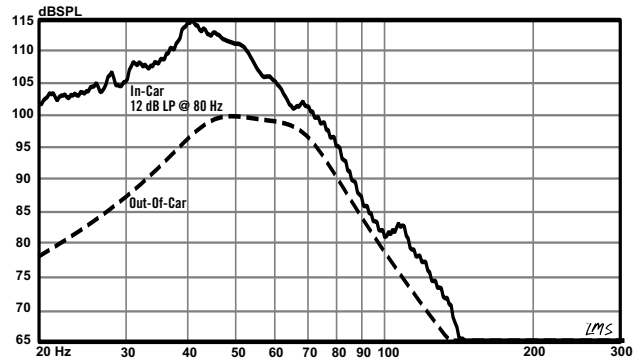
BANDPASS ENCLOSURE VOLUME (INCLUDES DRIVER/PORT DISPLACEMENTS)



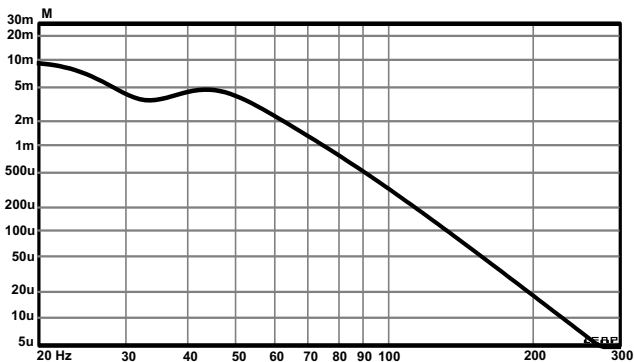
VENTED ENCLOSURE FREQUENCY RESPONSE @ 2.83 V



BANDPASS ENCLOSURE FREQUENCY RESPONSE @ 2.83 V



VENTED ENCLOSURE TRANSDUCER EXCURSION @ 400 W



BANDPASS ENCLOSURE TRANSDUCER EXCURSION @ 400 W

